



sunprotection
privacy
... and more

DESIGNING · SUNLIGHT



WINGLINE

*Roofing and shading
for terraces and
outdoor dining areas*



Roofing and shading for **terraces** and outdoor dining areas

Being out in the open air is what everybody wants nowadays. Of course, we do not want to get wet or sit in the glaring sun. Terraces and guest gardens are irresistible because they combine open air with open space and make your guests feel instantly welcome! As WINGLINE is primarily used as a free-standing unit, it fits in optimally with the constructional situation on site. WINGLINE can shade a surface of up to 58 square metres.







Experience the quality of WO&WO



The reliability and durability of an awning requires mechanisms of superior quality. All WO&WO jointed arm awnings are well-engineered quality products with particularly strong articulated arms and CE tested. High-quality and corrosion resistant materials and coatings make for a durable product with a 7-year warranty that lets you enjoy every ray of sunlight.

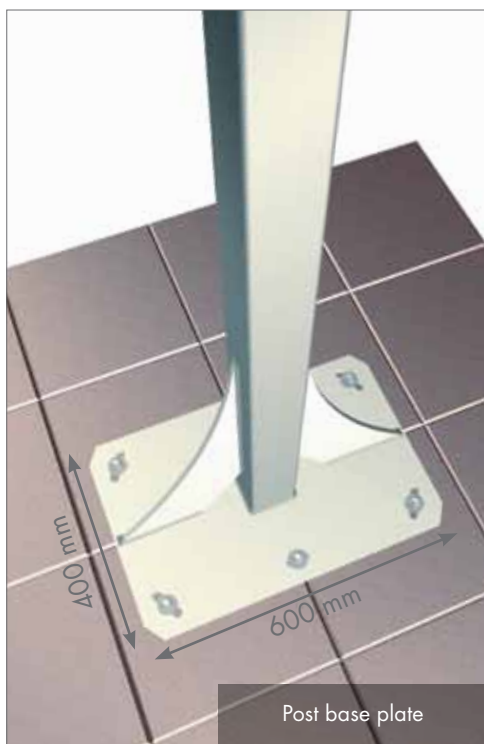
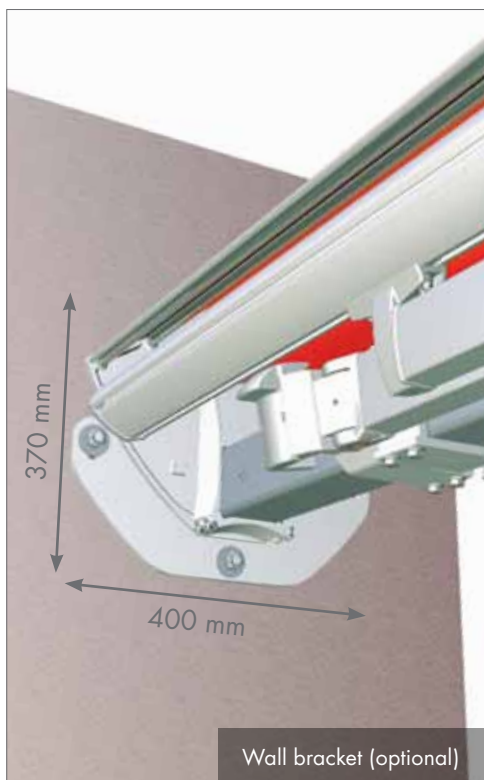
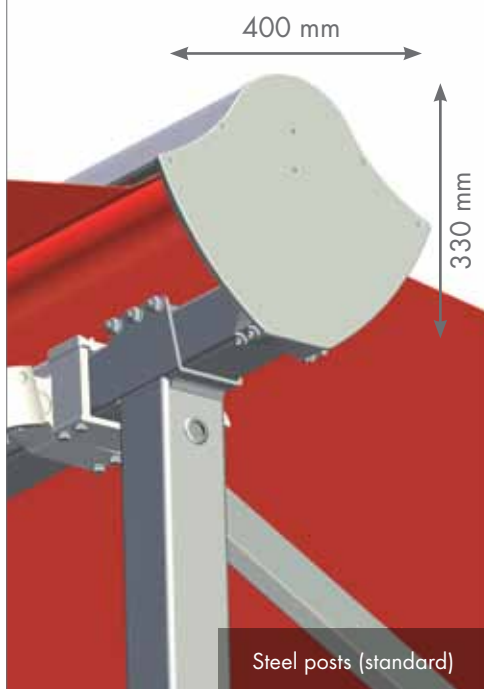
! TIP VARIOMOTION

A Variovalant is an additional valance that can be extended vertically up to 160 cm at the awning's front. Variomotion is the 24V-powered, electric Variovalant. A remote control is used for convenient operation of the Variovalant, as quiet as a whisper.

! TIP HEATER/LIGHT STRIP

Enjoy your WINGLINE with comfortable infrared heat and the relaxing light of WO&WO. With the heating system and the light board, you create your own Mediterranean flair. Pleasant light and comfortable warmth make you independent of seasons or the time of day - in the extended living and dining area on your terrace.





Operation and installation

WINGLINE'S many applications are a winning proposition. The shading system is fitted with posts whose base plate is fitted on a firm surface (for instance concrete). However, you can also install your WINGLINE on the wall.

Only one motor is required to drive the system. If desired, it can be remote controlled for additional convenience.



! TIP SAFETY AND COMFORT WITHOUT PRESSING A BUTTON

The wind/sun sensor constantly measures the current intensity of the sun and the wind speed. When the sun shines, it deploys your awning automatically, if the wind is too strong, it retracts the awning automatically to protect it.



Limit dimensions

Enjoy the feeling of unrestricted space with your WINGLINE. Systems with a projection of 4500 mm can be up to 6500 mm wide on both sides, while a system with a maximum width of 7000 mm can have a projection of 4000 mm.

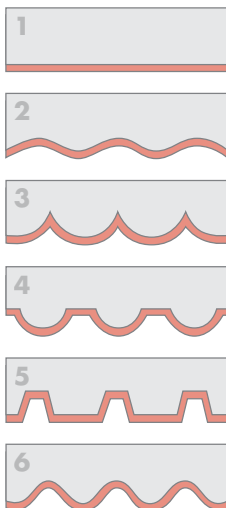
The adjustable inclination angle from 5° to 30° and the three available post heights of 2600, 3000 and 3400mm offer a high degree of flexibility to accommodate your very own requirements.

Advantages that count!

- ✓ One roller tube
 - less material,
 - less costs
- ✓ System width up to 7m
- ✓ Projection on both sides up to 4.5m depending on the system width
 - ✓ Extendable Variovolant if the sun is low
 - ✓ Continuous aluminium roof protects mechanical parts and cloth
 - ✓ Radiators or light strip

! TIPP PRINTABLE CLOTH

You run a coffee shop or a restaurant with guest garden, your customers are sitting happily in the shade produced by WINGLINE. What better opportunity to advertise your establishment? You can have text or a logo printed on the cloth for perfect advertising. Or maybe you want a photograph printed on the WINGLINE to create a special atmosphere?



In addition to choosing the fabric for the awning, you can also decide what you want your valance to look like. We offer a choice of 6 different valance types and many different colours for the borders.





Easy-Clean

It is recommended to fit WINGLINE with Acrylic textiles.

TexGard - Easy-Clean



Special textile finishing gives the product a series of useful properties. This includes low dirt absorption of the fabrics, high water repellence and reduced surface tension. Due to the special material attachment system, this effect is also extremely long-lasting. Moisture, water and dirt are kept out as much as possible.



All-Weather

All-Weather

The All-Weather quality is a fabric made of spinning-nozzle coloured acrylic with a coating on one side, combining optimum protection against the sun with protection against a drizzle or light rain.

UV-protection



Acrylic fabrics are high-quality awning fabrics incorporating several reinforcements that make them ideal for demanding outdoor applications. The UV protection of the fabrics according to UV Standard 801 ranges from factor 40 to 80.



Soltis

PVC - Soltis® (used on the Variovolant)

Soltis® fabrics let more natural light through. With its extraordinary degree of transparency, it affords a good view of the outside. Furthermore, Soltis fabrics are especially weather resistant. They are able to withstand all climate conditions without suffering damage while retaining their pliability and mechanical properties.

Frame colours

A wide choice of colours is available not only for the fabrics, but also for the frame. If the three standard colours White (RAL 9010) Silver (RAL 9006) Light Ivory (RAL 1015) are not enough for you, another 210 RAL colours are available!

RAL 9010	
RAL 9006	
RAL 1015	

The RAL CLASSIC colour chart is reproduced with the kind permission of RAL GmbH, Sankt Augustin. The name RAL is trademark protected.



WO&WO lets the sun shine for you

Our passion is to let precious sunlight into your home in a controlled manner so that you really feel the full benefit of "your" sun. WO&WO's tailored sun blind products transform your home into your personal sunny paradise.

The product range of WO&WO includes all articles for modern internal and external sun blinds and visual screens such as terrace awnings, façade awnings, roller shutters, venetian blinds, window shutters, external and internal blinds, pleated blinds, roller blinds, panel curtains, vertical blinds and insect screens.



Internal sun blinds

The amount of light that enters a building can be controlled and optimised in many different ways. How this is achieved in a particular situation is partly a question of personal taste, but it also depends on the individual requirements: Do you want a transparent element or do you want it to darken the room? Should it consist of metal or fabric? There are no limits to your imagination!

External sun blinds

An awning creates additional living space. It also decorates the house. Modern architecture increasingly relies on external systems for light control, such as venetian blinds, that provide excellent protection against the weather and act as a visual screen at the same time.

www.woundwo.at

Your WO&WO-Partner: